

# elap MEM/MEM-V

## SINGLE & MULTITURN ABSOLUTE ENCODERS



- SSI serial output
- Different configurations available
- Metal case

- Series MEM single & multiturn 30  $\mu$ s typical monoflop time
- Series MEM-V singleturn 16  $\mu$ s typical monoflop time
- High resolution, Binary or Gray code

### MECHANICAL VERSIONS

Serie MEM520/MEM520V:	Serie MEM540/MEM540V	Serie MEM510/MEM510V	Serie MEM530/MEM530V
Ø 58 mm round flange Servo coupling Ø 50 mm centering mask Shaft Ø 6, 8, 9.52 or 10 mm	Ø 58 mm round flange Servo coupling Ø 36 mm centering mask 3 M4 holes 120° on Ø 48 mm	Ø 58 mm round flange Servo coupling Ø 31.75 mm centering mask Shaft Ø 6, 8, 9.52 or 10 mm	Flange type RE0444 Shaft Ø 11 mm Aluminium case
Serie MEM410/MEM410V	Serie MEM430/MEM430V	Serie MEM620/MEM620V:	Serie MEM650/MEM650V:
Hollow shaft for motor shaft coupling – hole Ø 8, 10, 12, 14 or 15 mm	Hollow shaft for motor shaft coupling – hole Ø 8, 10, 12, 14 or 15 mm Antirotational elastic support	63.5x63.5 square flange Ø 31.75 mm centering mask Shaft Ø 6, 8, 9.52 or 10 mm	63.5x63.5 square flange Ø 50 mm centering mask Shaft Ø 6, 8, 9.52 or 10 mm

### MECHANICAL & ENVIRONMENTAL SPECIFICATIONS

TYPE MEM/MEM-V	520/510/540	620/650	530	410/430
• Weight	400 g ca.		500 g ca.	450 g ca.
• Materials: case shaft	aluminium stainless steel			
• Shaft/Joint hole diameter	6, 8, 9.52 or 10 mm		11 mm	hole Ø 8, 10, 12, 14, 15 mm
• Revolutions/minute	6000			
• Starting torque	$\leq 0.8$ Ncm			
• Inertia	$\leq 25$ g cm <sup>2</sup>			
• Max. load	80 N axial / 1000 N radial			
• Shock resistance (11 ms)	50 G			
• Vibrations resistance (10÷2000 Hz)	100 m/sec <sup>2</sup>			
• Protection degree	IP64, optional IP65 (version K)			
• Operating temperature	-30 ÷ +70°C			
• Stocking temperature	-30 ÷ +85°C			

### ELECTRICAL & OPERATING SPECIFICATIONS

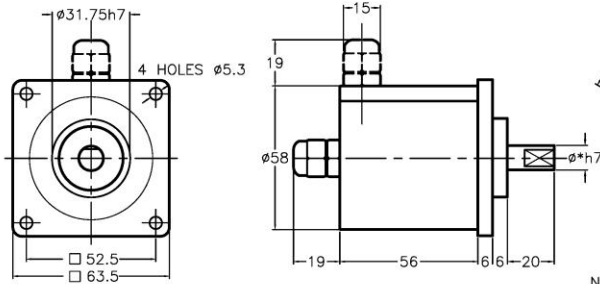
• Resolution	5 ÷ 13 bit (32÷8192 info/rev.)	
• Steps/revolution	2÷15 bit (4÷32768)	
• Code	Binary or Gray	
• Output signals	SSI serial (RS422)	
• Supply voltage	5 ÷ 28 Vdc	Protection against polarity reversal
• Power consumption	1.2 W	
• I max parallel outputs	50 mA	
• SSI Clock max. frequency	1 MHz	
• Accuracy	$\pm 1/2$ LSB	
• Interference immunity	EN 61000-6-2	
• Emitted interference	EN 61000-6-4	
• Connections	axial or radial cable 1 m lg or axial/radial 12-pin Connei connector	



ELAP VIA VITTORIO VENETO, 4 – I-20094 CORSICO (MI) – TEL. ++39.02.4519561  
FAX ++39.02.45103406 E-MAIL: INFO@ELAP.IT URL: WWW.ELAP.IT

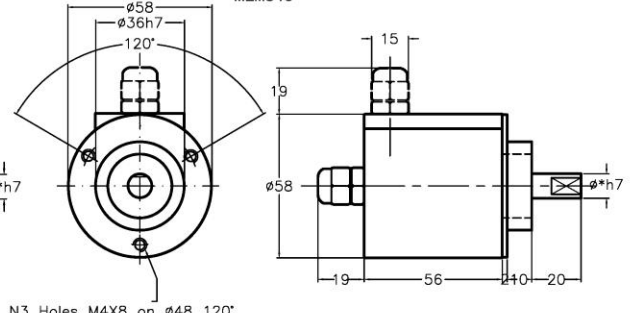


MEM620



\* ALBERINO DISPONIBILE NEI DIAMETRI/AVAILABLE SHAFT DIAMETER  
8mm - 10mm con sporgenza/length 20mm  
6mm con sporgenza/length 10mm

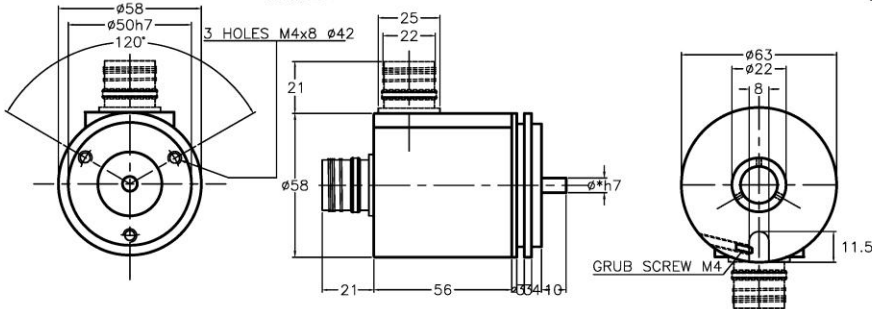
MEM540



N3 HOLES M4X8 ON  $\phi 48$  120°

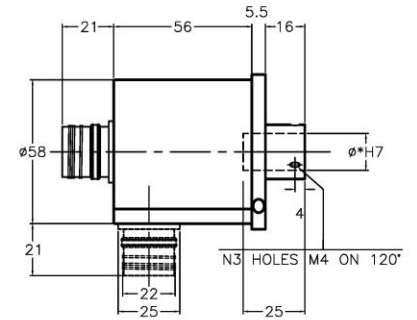
\* ALBERINO DISPONIBILE NEI DIAMETRI/AVAILABLE SHAFT DIAMETER  
8mm - 10mm con sporgenza/length 20mm  
6mm con sporgenza/length 10mm

MEM520



\* ALBERINO DISPONIBILE NEI DIAMETRI/AVAILABLE SHAFT DIAMETER  
8mm - 10mm con sporgenza/length 20mm  
6mm con sporgenza/length 10mm

MEM410



\* FORO DISPONIBILE NEI DIAMETRI/AVAILABLE HOLE DIAMETER  
8mm - 10mm - 12mm - 14mm - 15mm

elap

ELAP VIA VITTORIO VENETO, 4 - I-20094 CORSICO (MI) - TEL. ++39.02.4519561  
FAX ++39.02.45103406 E-MAIL: INFO@ELAP.IT URL: WWW.ELAP.IT